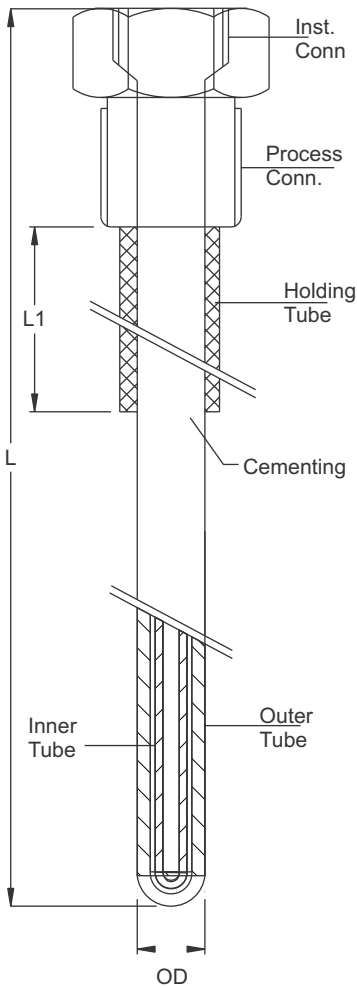


THERMOWELL WITH CERAMIC TUBE

A-113



Inner Tube Material

Inner Tube OD (mm)

ID (mm)

Outer Tube Material

Outer Tube OD (mm)

ID (mm)

Holding Tube Material

Holding Tube OD (mm)

ID (mm)

Length "L1" (mm)

Process Conn.

Instrument Conn.

Total Length "L"

304	SS 304
310	SS 310
316	SS 316
600	Inconel-600
800	Inconel-800
446	HRS- 446
610	Recrystallised Alumina Ceramic- Ker- 610
710	Recrystallised Alumina Ceramic- Ker- 710

304	SS 304
310	SS 310
316	SS 316
600	Inconel-600
800	Inconel-800
446	HRS- 446

Threads	1/4"
	1/2"
	3/4"
	3/8"
	1"
	1 1/4"
B.S.P./ N.P.T.	1 1/2"
	2"
	M-Thread
M-Thread	M20X1.5, M18X1.5 M27X2
Other	Consult Factory