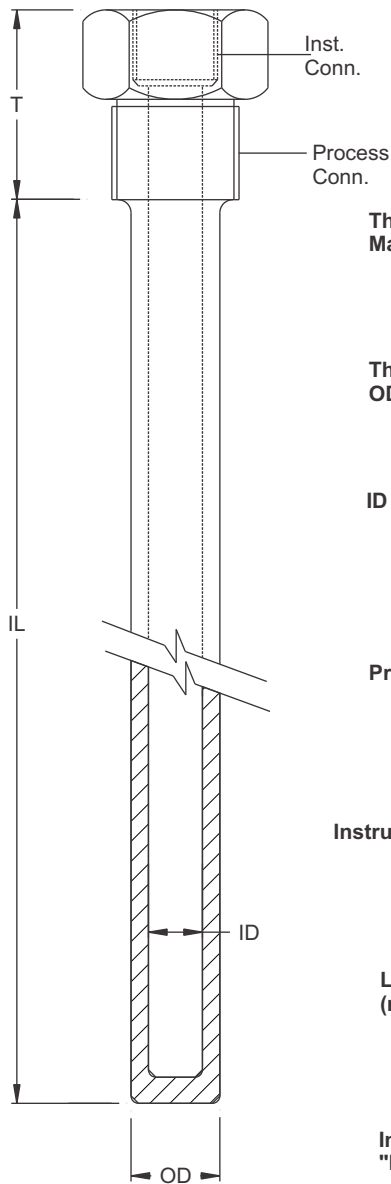


STRAIGHT THERMOWELL (SCREWED TYPE)

A-106



Thermowell Material

| | |
|-------|-----------------|
| 304 | SS 304 |
| 310 | SS 310 |
| 316 | SS 316 |
| 600 | Inconel-600 |
| 800 | Inconel-800 |
| 446 | HRS- 446 |
| Other | Consult Factory |

Thermowell OD (mm)

ID (mm)

Process Conn.

| | |
|-------------------|---------------------------|
| Threads | 1/4" |
| | 1/2" |
| | 3/4" |
| | 3/8" |
| | 1" |
| | 1 1/4" |
| B.S.P./ N.P.T. | 1 1/2" |
| | 2" |
| | M-Thread |
| M-Thread | M20X1.5, M18X1.5 M27X2 |
| Other | Consult Factory |

Instrument. Conn.

Length of "T"
(mm)

Insertion Length
"I.L."(mm)