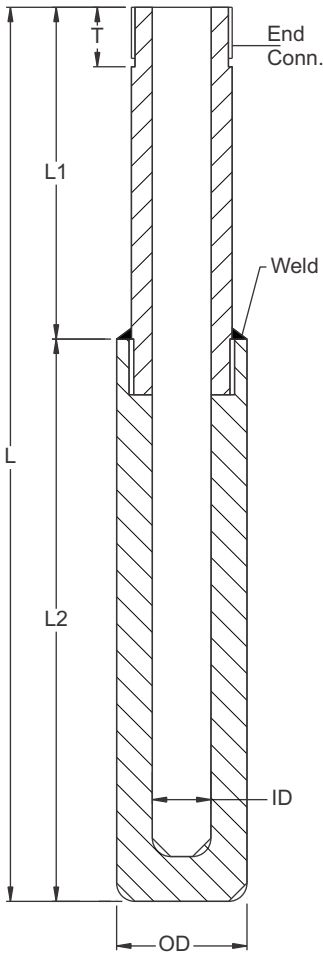


# STEPPED THERMOWELL

**A-105**



**Thermowell Material**

CS	Cast Iron
304	SS 304
310	SS 310
316	SS 316
600	Inconel-600
800	Inconel-800
446	HRS- 446
610	Ceramic Ker-610
710	Ceramic Ker-710
Other	Consult Factory

**Thermowell OD (mm)**

**ID (mm)**

**End Conn.**

Threads	1/4"
	1/2"
	3/4"
	3/8"
	1"
	1 1/4"
B.S.P./ N.P.T.	1 1/2"
	2"
	M-Thread
M20X1.5, M18X1.5	
M27X2	
Other	Consult Factory

**Length of Thread "T"(mm)**

**Length L1 (mm)**

**Length L2 (mm)**

**Thermowell Length "L"(mm)**