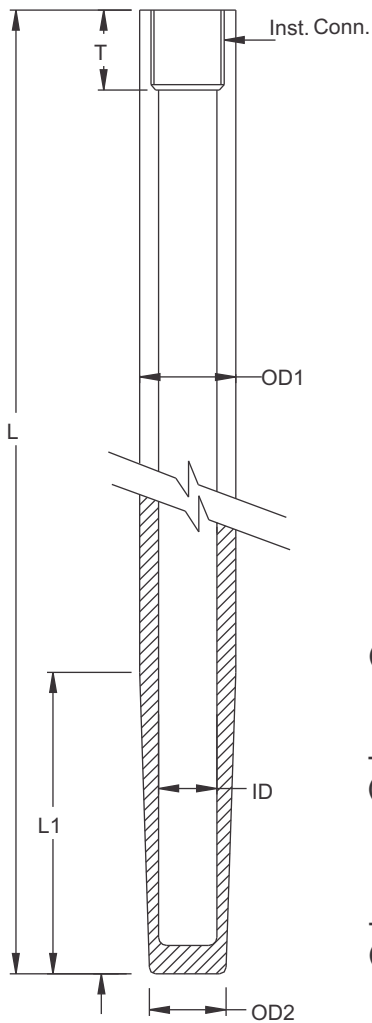


TAPERED THERMOWELL (FEMALE THREAD)

A-104



Thermowell Material —

Thermowell Od1 (mm) —

Od2 (mm) —

ID (mm) —

End Conn. —

Length of Thread "T" (mm) —

Taper Length "L1" (mm) —

Thermowell Length "L" (mm) —

304	SS 304
310	SS 310
316	SS 316
600	Inconel-600
800	Inconel-800
446	HRS- 446
Other	Consult Factory

Threads	1/4"
	1/2"
	3/4"
B.S.P./	3/8"
N.P.T.	1"
	1 1/4"
	1 1/2"
	2"
M-Thread	M20X1.5, M18X1.5
	M27X2
Other	Consult Factory