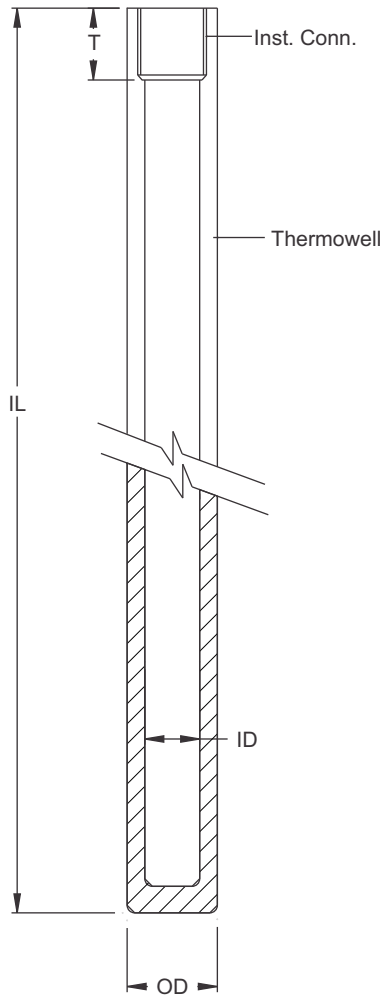


STRAIGHT THERMOWELL (FEMALE THREAD)

A-102



Thermowell Material

304	SS 304
310	SS 310
316	SS 316
600	Inconel-600
800	Inconel-800
446	HRS- 446
Other	Consult Factory

Thermowell OD (mm)

ID (mm)

Thread

Threads B.S.P./ N.P.T.	1/4"
	1/2"
	3/4"
	3/8"
	1"
	1 1/4"
1 1/2"	
2"	
M-Thread	M20X1.5, M18X1.5 M27X2
Other	Consult Factory

Length of Thread "T" (mm)

Insertion Length "I.L." (mm)