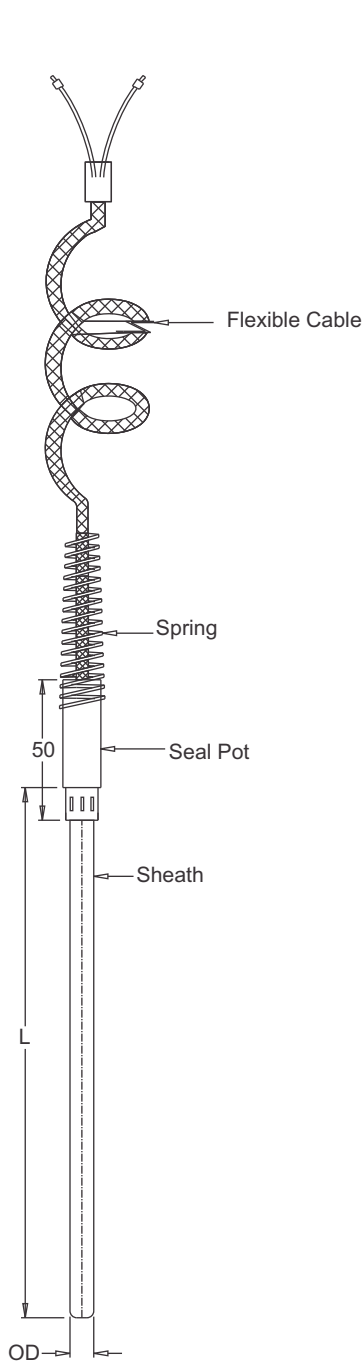


ULTRA HIGH TEMPERATURE THERMOCOUPLE WITH CABLE



T-988

Thermocouple Element

Type of T/C	Description
C	W5%Re - W26%Re
D	W3%Re - W25% Re
S	Pt10%Rh - Pt
R	Pt13%Rh - Pt
B	Pt30%Rh - Pt6%Rh

Sheath Material

I	Inconel - 600
P	Platinum Alloy
T	Tantalum
M	Molybdenum

Sheath "OD"

1.6	Ø1.6 mm
3.2	Ø3.2 mm
4.8	Ø4.8 mm
6.4	Ø6.4 mm
8	Ø8 mm

Nominal Length OF T/C "L" (mm)

Insulation Material

M	Magnesium oxide (MgO)
A	Aluminium Oxide (Al ₂ O ₃)
B	Beryllium oxide (BeO)
H	Hafnium oxide (HfO ₂)