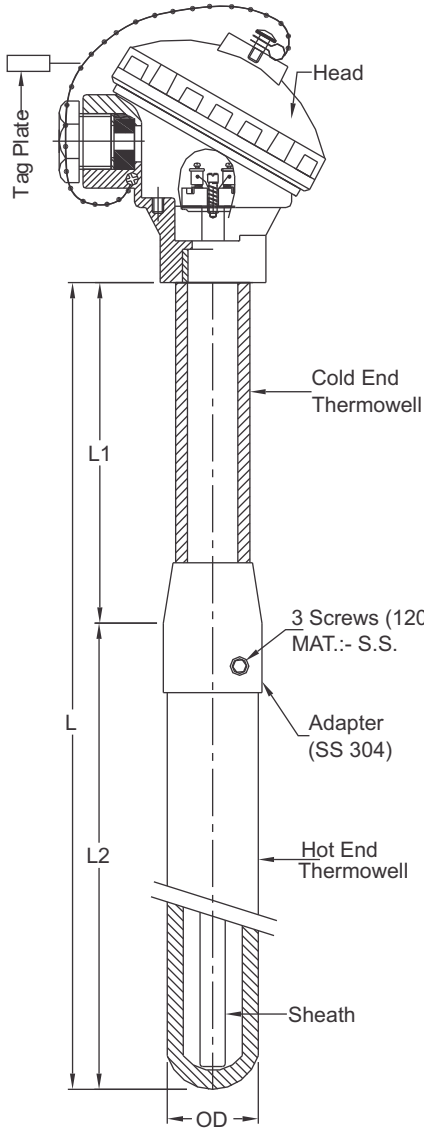


THERMOCOUPLE FOR MOLTEN ALUMINIUM (STRAIGHT)

T-951



Termination Style

C	Connection Head IP-67
D	Double entry Head IP-65
EB	Ex-D IIB Zone 1&2
EC	Ex-D IIC
M	Miniature Head
P	Plastic Head
Other	Consult Factory

Junction Style

GN	Grounded
UN	Ungrounded

Thermocouple Element

Type of T/C	Description
K	Chromal/Alumal
J	Iron/Constantan
N	Nicrosil-Nisil
T	Copper/Constantan
E	Ni-Cr/Constantan
Other	Consult Factory
Ex. :	If Simplex - K Duplex - KK

Sheath "OD"

6	Ø6mm
8	Ø8mm

Sheath Material

316	SS 316
310	SS 310
600	Inconel-600
Other	Consult Factory

Thermowell Material Cold End

316	SS 316
310	SS 310
304	SS 304
600	Inconel-600
800	Inconel-800
Other	Consult Factory

Cold End OD (mm)

Cold End ID (mm)

Thermowell Material Hot End

CS	Cast Iron
SN	Silicon Nitride
Other	Consult Factory

Hot End OD (mm)

Hot End ID (mm)

Legth "L1" (mm)

Legth "L2" (mm)

Nominal Legth of T/C "L" (mm)