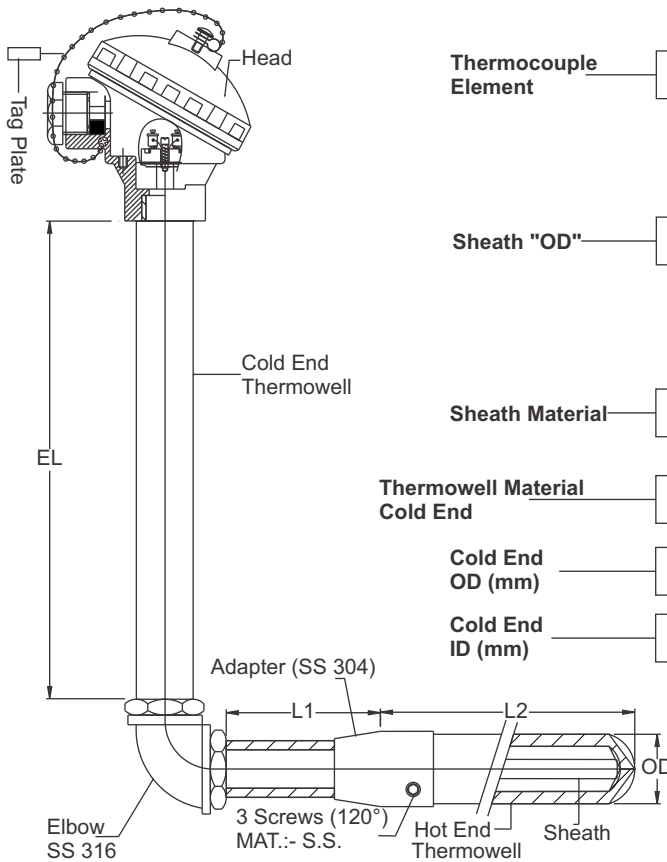


THERMOCOUPLE FOR MOLTEN ALUMINIUM ("L" SHAPE)

T-950



Termination Style

C	Connection Head IP-67
D	Double entry Head IP-65
EB	Ex-D IIB Zone 1&2
EC	Ex-D IIC
M	Miniature Head
P	Plastic Head
Other	Consult Factory

Junction Style

GN	Grounded
UN	Ungrounded

Thermocouple Element

Type of T/C	Description
K	Chromal/Alumal
J	Iron/Constantan
N	Nicrosil-Nisil
T	Copper/Constantan
E	Ni-Cr/Constantan
Other	Consult Factory
Ex. :	If Simplex - K Duplex - KK

Sheath "OD"

6	Ø6mm
8	Ø8mm

Sheath Material

316	SS 316
310	SS 310
600	Inconel-600
Other	Consult Factory

Thermowell Material Cold End

316	SS 316
310	SS 310
304	SS 304

Cold End OD (mm)

600	Inconel-600
800	Inconel-800

Cold End ID (mm)

Other	Consult Factory
-------	-----------------

Thermowell Material Hot End

CS	Cast Iron
SN	Silicon Nitride
Other	Consult Factory

Hot End OD (mm)

Hot End ID (mm)

Legth "L1" (mm)

Legth "L2" (mm)

Nominal Legth of T/C "L" (mm)