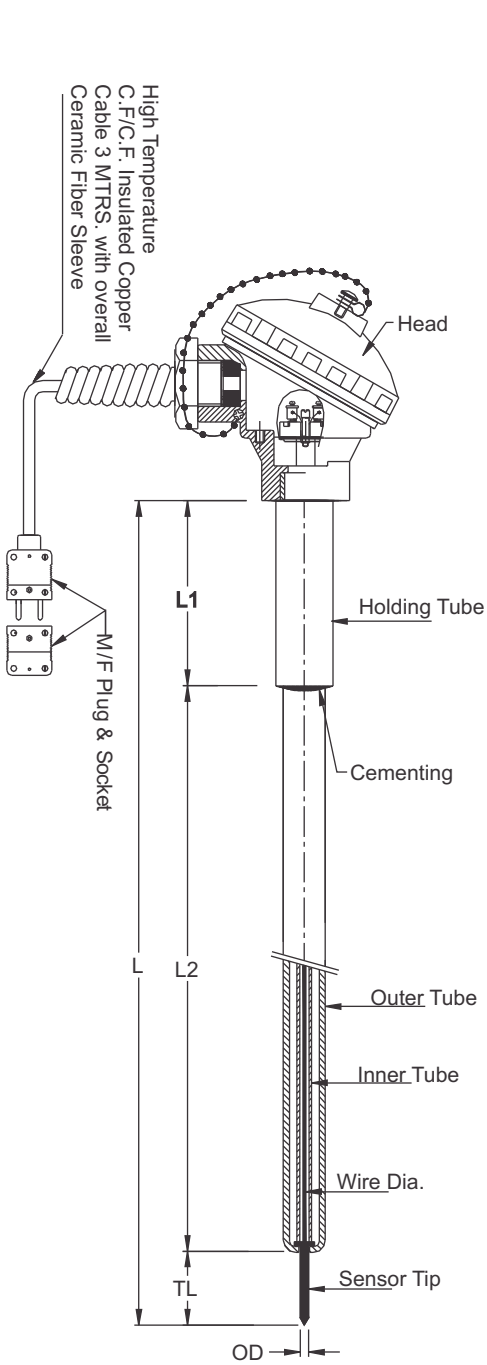


GLASS LEVEL PROBE/ELECTRODE



T-904

Element/Wire	<input type="text"/>	A	Pt-Rh Alloy
Termination Style	<input type="text"/>	A	Connection Head IP-67
		B	Miniature Head
		C	Double entry Head IP-65
		D	Ex. Proof Head IIA/IIB
		E	Plastic Head
		Other	Consult Factory
Element/Wire Dia.	<input type="text"/>	A	Ø0.70mm
		B	Ø0.80mm
		C	Ø0.90mm
		D	Ø1.00mm
		Other	Consult Factory
Sensor Tip OD X TL	<input type="text"/>		
Outer Tube OD X ID :	<input type="text"/>		
Outer Tube Material	<input type="text"/>	A	Recrystallised Alumina Ceramic- Ker- 610
		B	Recrystallised Alumina Ceramic- Ker- 710
Inner Tube OD X ID :	<input type="text"/>		
Inner Tube Material	<input type="text"/>	A	SS 316
		B	SS 310
		C	SS 304
		D	Inconel-600
		E	Inconel-800
		Other	Consult Factory
Holding Tube Material	<input type="text"/>		
Holding Tube OD X ID	<input type="text"/>		
Mounting Arrangement	<input type="text"/>	A	Required
		B	Not Required
Holding Tube Length "L1"	<input type="text"/>		
Outer tube Length "L2"	<input type="text"/>		
Nominal Length of T/C "L"	<input type="text"/>		