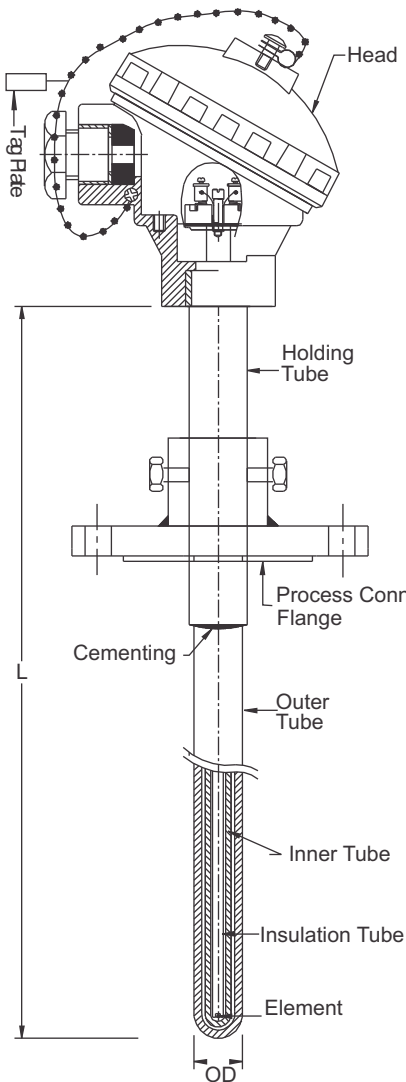


THERMOCOUPLE WITH DOUBLE PROTECTION TUBE & ADJUSTABLE FLANGE

T-805



Termination Style

C	Connection Head IP-67
D	Double entry Head IP-65
EB	Ex-D IIB Zone 1&2
EC	Ex-D IIC
M	Miniature Head
P	Plastic Head
Other	Consult Factory

Junction Style

GN	Grounded
UN	Ungrounded

Thermocouple Element

Type of T/C	Description
R	Pt-Rh 13%Pt
S	Pt-Rh 10% Pt
B	Pt-Rh 30% Pt-Rh 6%
Ex.:	If Simplex-R Duplex-RR

Element Dia

0.35	Ø0.35mm
0.40	Ø0.40mm
0.45	Ø0.45mm
0.50	Ø0.50mm
Other	Consult Factory

Insulating Tube OD

3.5	Ø3.5mm
4.5	Ø4.5mm
5.5	Ø5.5mm
8.5	Ø8.5mm

Insulating Tube Material

610	Ceramic- 610
710	Ceramic- 710

Inner Tube OD X ID :

A	6 X 4mm
B	8 X 5mm
C	10 X 7mm
D	12 X 8mm
E	20 X15mm
F	24 X18mm

Inner tube Material

316	SS 316
310	SS 310
304	SS 304

Outer Tube OD X ID

600	Inconel 600
800	Inconel 800

Outer Tube Material

610	Recrystallised Alumina Ceramic- Ker- 610
710	Recrystallised Alumina Ceramic- Ker- 710

Process Conn.

Flange Rating	Flange Size
# 150	1/2"
# 300	3/4"
# 400	1"
# 600	1 1/2"
	1 1/4"
	2"
Other	Consult Factory

Flange Material

Nominal Length of T/C (mm)