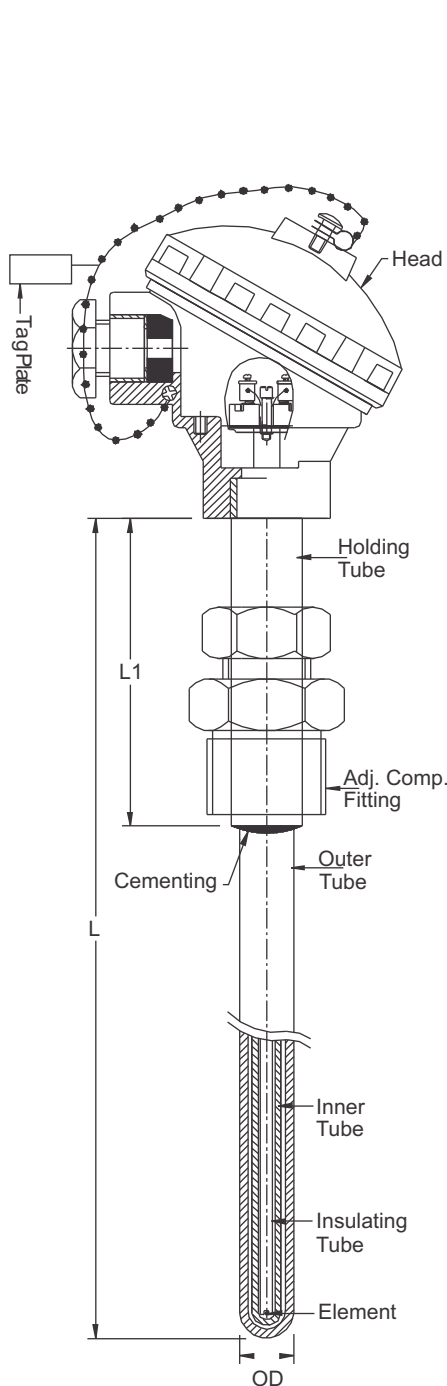


THERMOCOUPLE WITH DOUBLE PROTECTION TUBE & ADJUSTABLE FITTING



T-804

Termination Style	<input type="text"/>	C	Connection Head IP-67
		D	Double entry Head IP-65
		EB	Ex-D IIB Zone 1&2
		EC	Ex-D IIC
		M	Miniature Head
		P	Plastic Head
		Other	Consult Factory
Junction Style	<input type="text"/>	GN	Grounded
		UN	Ungrounded
Thermocouple Element	<input type="text"/>	Type of T/C Description	
		R	Pt-Rh 13%Pt
		S	Pt-Rh 10% Pt
		B	Pt-Rh 30% Pt-Rh 6%
		Ex.:	If Simplex-R Duplex-RR
Element Dia	<input type="text"/>	0.35	Ø0.35mm
		0.40	Ø0.40mm
		0.45	Ø0.45mm
		0.50	Ø0.50mm
		Other	Consult Factory
Insulating Tube OD	<input type="text"/>	3.5	Ø3.5mm
		4.5	Ø4.5mm
		5.5	Ø5.5mm
		8.5	Ø8.5mm
Insulating Tube Material	<input type="text"/>	610	Ceramic- 610
		710	Ceramic- 710
Inner Tube OD X ID :	<input type="text"/>	A	6 X 4mm
		B	8 X 5mm
		C	10 X 7mm
		D	12 X 8mm
		E	20 X 15mm
		F	24 X 18mm
Inner tube Material	<input type="text"/>	316	SS 316
		310	SS 310
		304	SS 304
Outer Tube OD X ID	<input type="text"/>	600	Inconel 600
		800	Inconel 800
Outer Tube Material	<input type="text"/>	610	Recrystallised Alumina Ceramic- Ker- 610
		710	Recrystallised Alumina Ceramic- Ker- 710
Holding Tube Material	<input type="text"/>	316	SS 316
		310	SS 310
		304	SS 304
		600	Inconel 600
		800	Inconel 800
Holding Tube OD (mm)	<input type="text"/>		
Holding Tube ID (mm)	<input type="text"/>		
Holding Tube Length "L1" (mm)	<input type="text"/>		
Adj. Comp. Fitting	<input type="text"/>	M-Thread	M20X1.5, M18X1.5, M33X2, M27X2
		Other	Consult Factory
Nominal Length of T/C (mm)	<input type="text"/>	N/A	Not Applicable
		Threads	1/4" 1/2" 3/4" 3/8"
		B.S.P. / N.P.T.	1" 1 1/4" 1 1/2" 2"