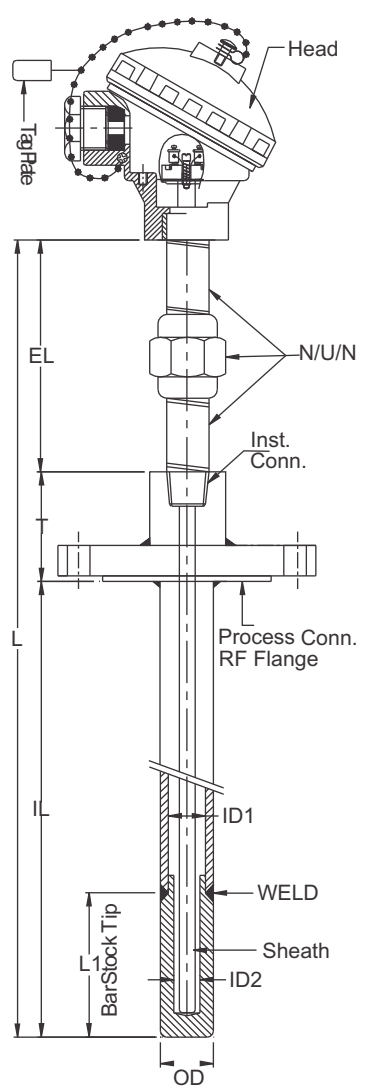


THERMOCOUPLE WITH BUILT UP FABRICATED THERMOWELL

T-733



Termination Style

Junction Style

Thermocouple Element

Sheath "OD"

Sheath Material

Thermowell Material

Thermowell Od1 (mm)

Thermowell Od2 (mm)

ID (mm)

N/U/N

Length of "T" (mm)

Process Conn.

Flange Material

Inst. Conn.

Insertion Length (I.L.) (mm)

Extention Length (E.L.) (mm)

Nominal Length of T/C "L" (mm)

C	Connection Head IP-67
D	Double entry Head IP-65
EB	Ex-D IIB Zone 1&2
EC	Ex-D IIC
M	Miniature Head
P	Plastic Head
Other	Consult Factory

GN	Grounded Rounded Tip
UN	Ungrounded Rounded Tip

Type of T/C	Description
K	Chromal/Alumal
J	Iron/Constantan
N	Nicrosil-Nisil
T	Copper/Constantan
E	Ni-Cr/Constantan
Other	Consult Factory
Ex. :	If Simplex - K Duplex - KK

1	Ø1mm
1.5	Ø1.5mm
3	Ø3mm
4.5	Ø4.5mm
6	Ø6mm
8	Ø8mm

316	SS 316
310	SS 310
600	Inconel-600
Other	Consult Factory

316	SS 316
310	SS 310
304	SS 304
600	Inconel-600
800	Inconel-800
446	HRS-446
Other	Consult Factory

A	1/2" SCH 80
B	1/2" SCH 40
Other	Consult Factory

Flange Rating	Flange Size
# 150	1/2"
# 300	3/4"
	1"
# 400	1 1/2"
# 600	1 1/4"
	2"
Other	Consult Factory

Threads	1/4"
	1/2"
	3/4"
	3/8"
	1"
B.S.P. / N.P.T.	1 1/4"
	1 1/2"
	2"
M-Thread	M20X1.5, M18X1.5, M33X2, M27X2
Other	Consult Factory