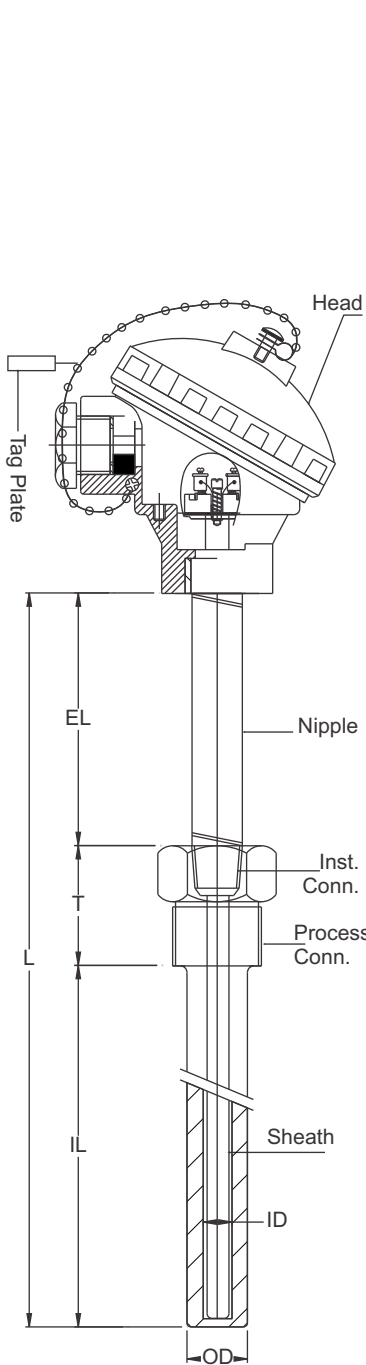


# THERMOCOUPLE WITH NIPPLE & STRAIGHT THERMOWELL



**T-652**

Termination Style

Junction Style

Thermocouple Element

Sheath "OD"

Sheath Material

Thermowell Material

Thermowell OD1 (mm)

Thermowell OD2 (mm)

Thermowell ID (mm)

Length of "T" (mm)

Process Conn.

Inst. Conn.

Insertion Length (I.L.) (mm)

Extension Length (E.L.) (mm)

Nominal Length of T/C "L" (mm)

C	Connection Head IP-67
D	Double entry Head IP-65
EB	Ex-D IIB Zone 1&2
EC	Ex-D IIC
M	Miniature Head
P	Plastic Head
Other	Consult Factory
GN	Grounded Rounded Tip
UN	Ungrounded Rounded Tip

Type of T/C	Description
K	Chromal/Alumal
J	Iron/Constantan
N	Nicrosil-Nisil
T	Copper/Constantan
E	Ni-Cr/Constantan
Other	Consult Factory
Ex. :	If Simplex - K Duplex - KK

1	Ø1mm
1.5	Ø1.5mm
3	Ø3mm
4.5	Ø4.5mm
6	Ø6mm
8	Ø8mm

316	SS 316
310	SS 310
600	Inconel-600
Other	Consult Factory

316	SS 316
310	SS 310
304	SS 304
600	Inconel-600
800	Inconel-800
446	HRS-446
Other	Consult Factory

Threads	1/4"
	1/2"
	3/4"
	3/8"
B.S.P. / N.P.T.	1"
	1 1/4"
	1 1/2"
	2"
M-Thread	M20X1.5, M18X1.5, M33X2, M27X2
Other	Consult Factory