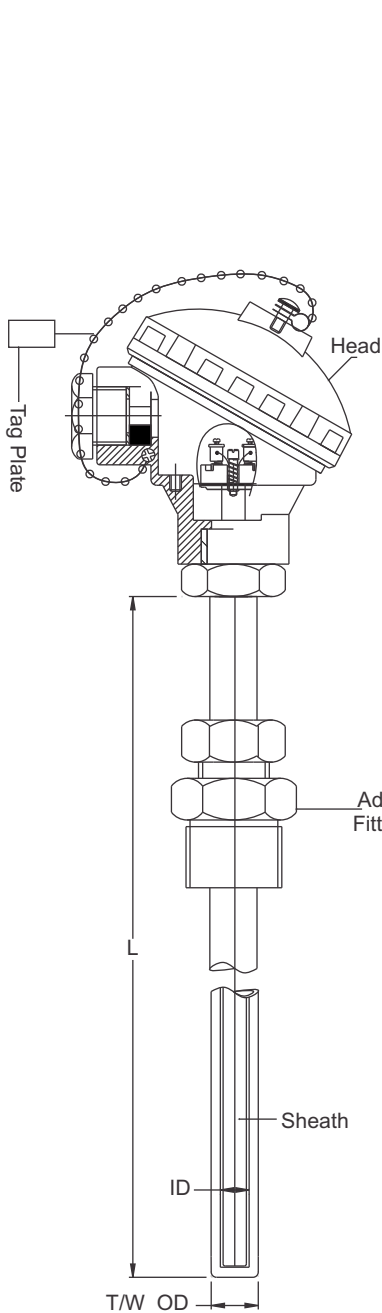


# THERMOCOUPLE WITH THERMOWELL



**T-501**

Termination Style

C	Connection Head IP-67
D	Double entry Head IP-65
EB	Ex-D IIB Zone 1&2
EC	Ex-D IIC
M	Miniature Head
P	Plastic Head
Other	Consult Factory

Junction Style

GN	Grounded Rounded Tip
UN	Ungrounded Rounded Tip

Thermocouple Element

Type of T/C	Description
K	Chromal/Alumal
J	Iron/Constantan
N	Nicrosil-Nisil
T	Copper/Constantan
E	Ni-Cr/Constantan
Other	Consult Factory
Ex. :	If Simplex - K Duplex - KK

Sheath Diameter "OD"

1	Ø1mm
1.5	Ø1.5mm
3	Ø3mm
4.5	Ø4.5mm
6	Ø6mm
8	Ø8mm
Other	Consult Factory

Sheath Material

316	SS 316
310	SS 310
600	Inconel-600
Other	Consult Factory

Thermowell "OD" (mm)

316	SS 316
310	SS 310
304	SS 304
600	Inconel-600
800	Inconel-800
446	HRS- 446
Other	Consult Factory

Thermowell "ID" (mm)

Threads	1/4"
	1/2"
	3/8"
	3/4"
	1"
B.S.P. / N.P.T.	1 1/4"
	1 1/2"
	2"
M-Thread	M20X1.5, M18X1.5, M33X2, M27X2
Other	Consult Factory
N/A	Not Applicable

Thermowell Material

Fitting

Nominal Length of T/C "L" (mm)