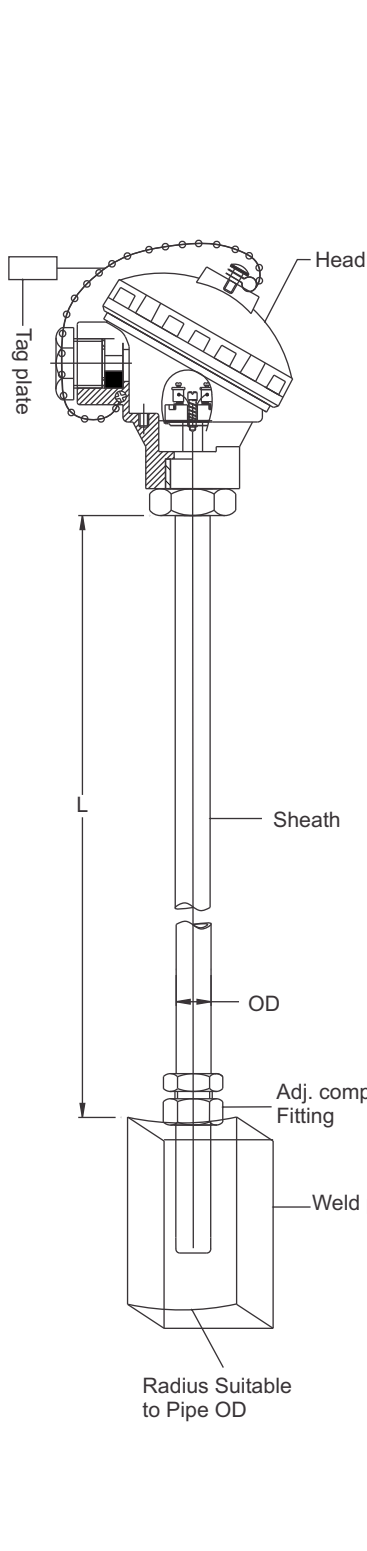


# THERMOCOUPLE WITH HEAD & WELD PAD



**T-104**

**Termination Style**

C	Connection Head IP-67
D	Double entry Head IP-65
EB	Ex-D IIB Zone 1&2
EC	Ex-D IIC
M	Miniature Head
P	Plastic Head
Other	Consult Factory

**Junction Style**

GN	Grounded
UN	Ungrounded

**Thermocouple Element**

Type of T/C	Description
K	Chromal/Alumal
J	Iron/Constantan
N	Nicrosil-Nisil
T	Copper/Constantan
E	Ni-Cr/Constantan
Other	Consult Factory
Ex. :	If Simplex - K Duplex - KK

**Sheath "OD"**

1	Ø1mm
1.5	Ø1.5mm
3	Ø3mm
4.5	Ø4.5mm
6	Ø6mm
8	Ø8mm
Other	Consult Factory

**Sheath Material**

316	SS 316
310	SS 310
600	Inconel-600
Other	Consult Factory

**Weld Pad**

A	25X25X50mm, Adj.
B	35X25X15mm, Adj.
C	25X25X5mm, Fixed
Other	Consult Factory

**Weld Pad Material**

A	SS 316
B	SS 310
Other	Consult Factory

**Nominal Length of T/C (L) (mm)**