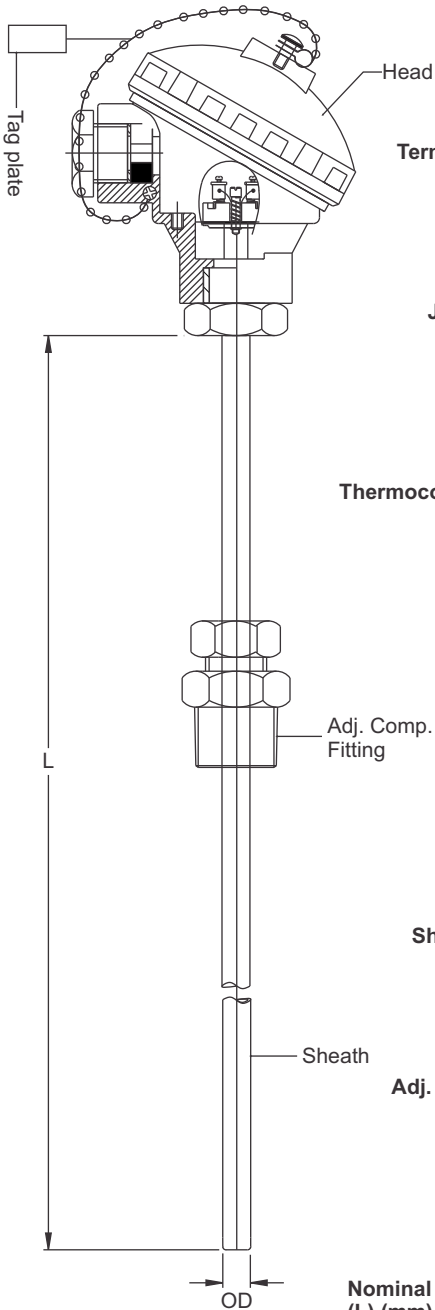


THERMOCOUPLE WITH HEAD

T - 101



Termination Style

C	Connection Head IP-67
D	Double entry Head IP-65
EB	Ex-D IIB Zone 1 & 2
EC	Ex-D IIC
M	Miniature Head
P	Plastic Head
Other	Consult Factory

Junction Style

GN	Grounded
UN	Ungrounded

Thermocouple Element

Type of T/C	Description
K	Chromal/Alumal
J	Iron/Constantan
N	Nicrosil-Nisil
T	Copper/Constantan
E	Ni-Cr/Constantan
Other	Consult Factory
Ex.;	If Simplex - K, Duplex - KK

Sheath "OD"

1	Ø1mm
1.5	Ø1.5
3	Ø3
4.5	Ø4.5
6	Ø6
8	Ø8
Other	Consult Factory

Sheath Material

316	SS316
310	SS310
600	Inconel-600
Other	Consult Factory

Adj. Comp. Fitting

Threads	1/4"
	1/2"
B.S.P. / N.P.T.	3/8"
	3/4"
	1"
	1 1/4"
	1 1/2"
	2"

Nominal Length of T/C (L) (mm)

M-Thread	M20X1.5, M18X1.5, M33X2, M27X2
Other	Consult Factory
N/A	Not Applicable