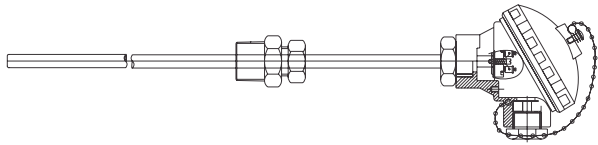
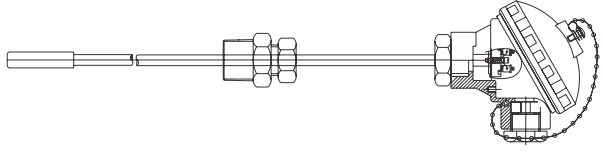
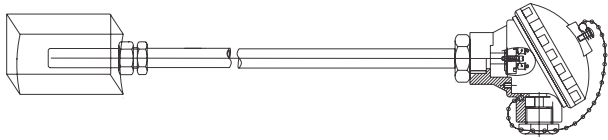
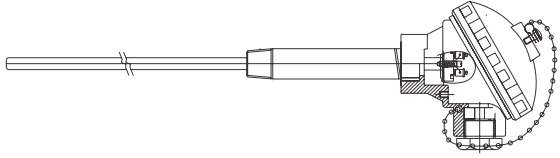
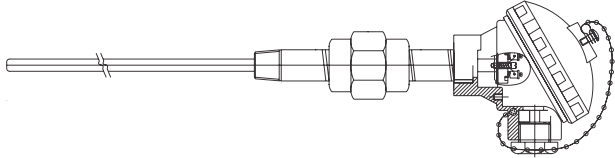

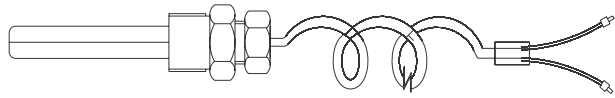
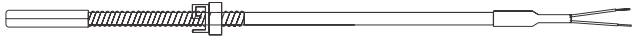
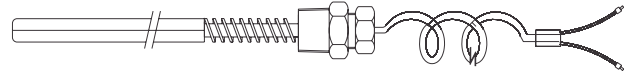

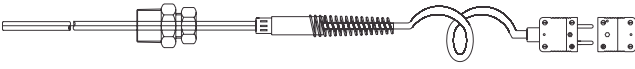
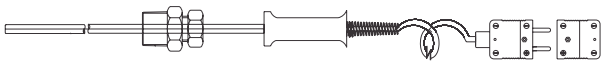
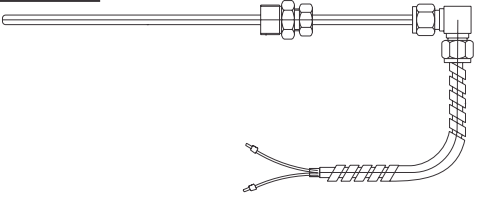
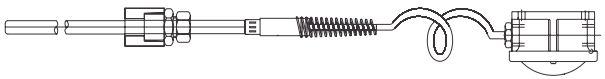

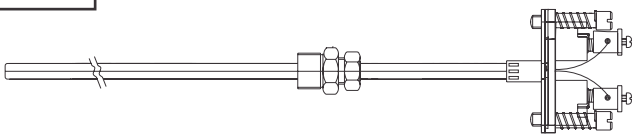
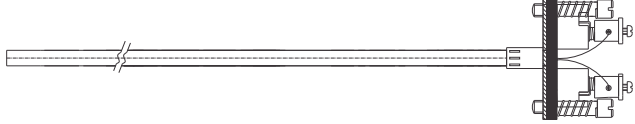
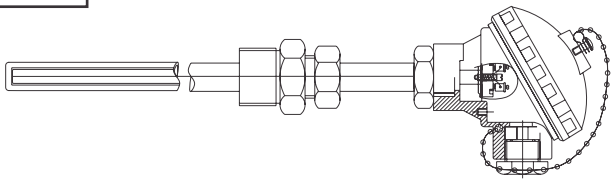
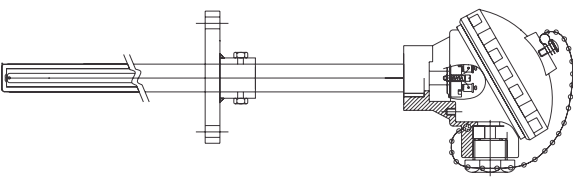
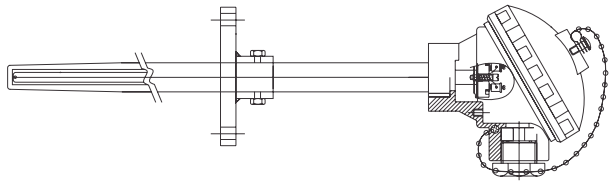



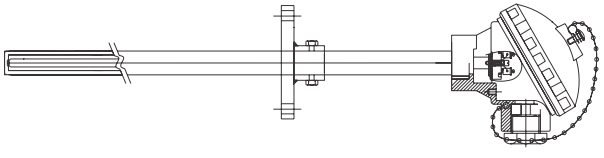
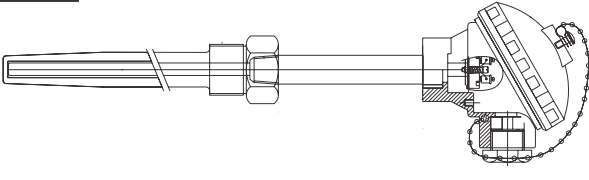
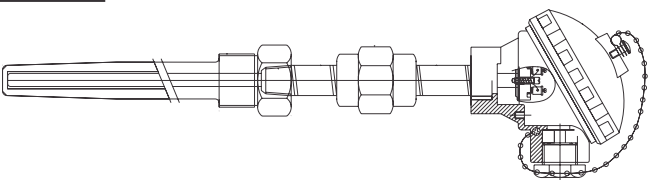
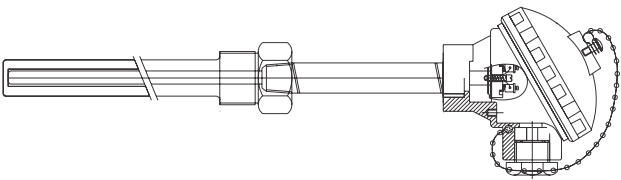
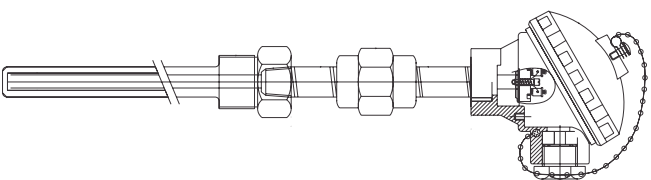
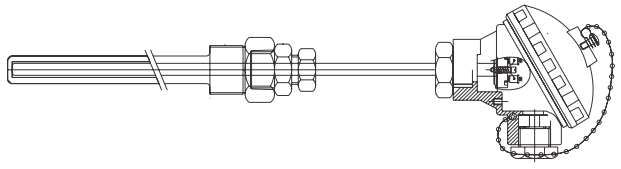
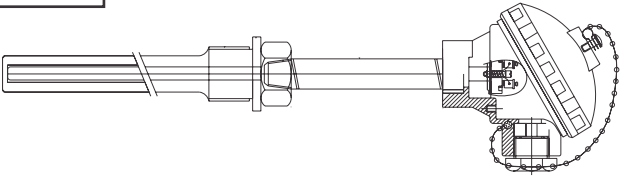
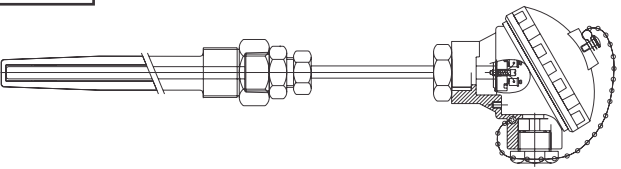
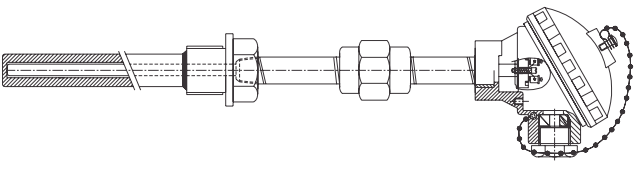
## List of Model

<b>T-101</b>	Thermocouple with Head	<b>T-103</b>	Thermocouple with Head and Tip Assembly
A-19		A-20	
<b>T-104</b>	Thermocouple with Head and Weld Pad	<b>T-105</b>	Thermocouple with Nipple
A-21		A-22	
<b>T-106</b>	Thermocouple with Nipple Union Nipple	<b>T-200</b>	Thermocouple with Cables
A-23		A-24	
<b>T-201</b>	Thermocouple with Cable and Fitting	<b>T-203</b>	Thermocouple with Bayonet and Cable
A-25		A-26	
<b>T-204</b>	Thermocouple with Cable and Fitting (Spring Loaded)	<b>T-206</b>	Thermocouple with Weld Pad & Cable
A-27		A-28	

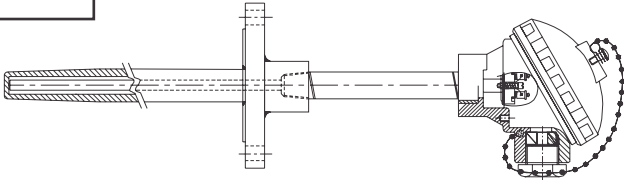
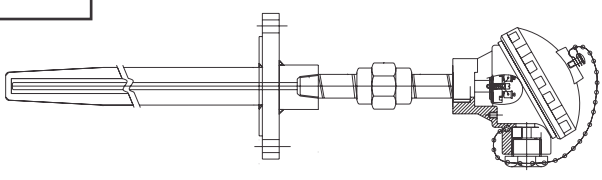
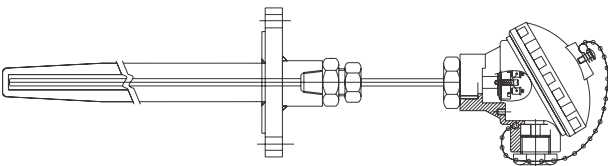
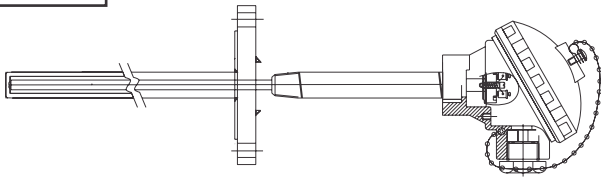
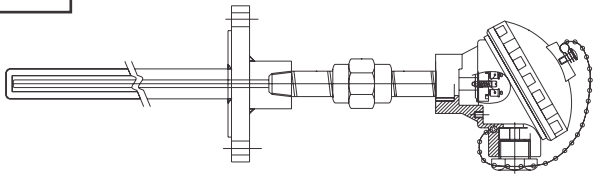
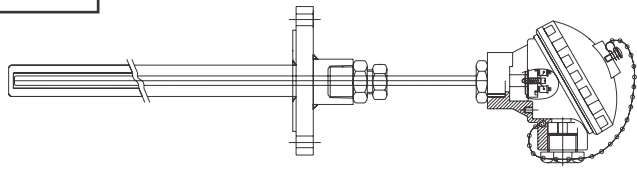
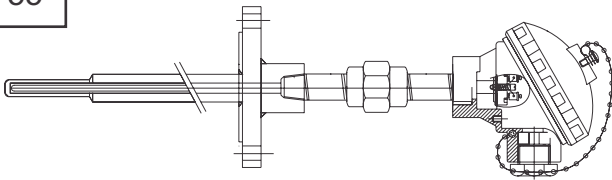
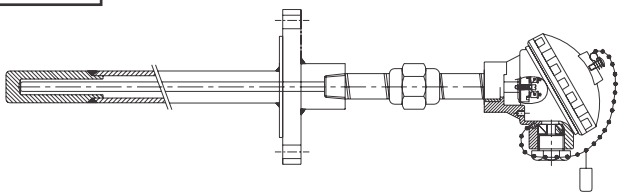
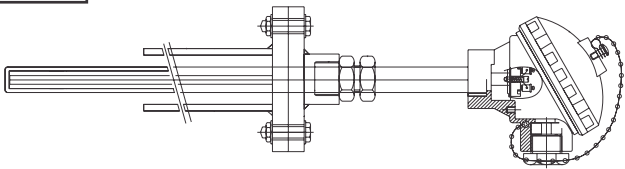
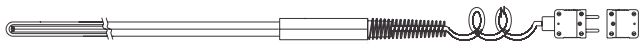
## List of Model

<b>T-271</b>	Thermocouple with Cable & Connectors	<b>T-272</b>	Thermocouple Probe with Cable Connectors
A-29		A-30	
<b>T-273</b>	Thermocouple Exhaust Gas	<b>T-274</b>	Thermocouple with Junction Box & Adjustable Compensating Fitting with Stub
A-31		A-32	
<b>T-343</b>	Thermocouple with Connectors	<b>T-344</b>	Thermocouple Inset
A-33		A-34	
<b>T-345</b>	Thermocouple with Inset	<b>T-501</b>	Thermocouple with Thermowells
A-35		A-36	
<b>T-502</b>	Thermocouple with Thermowells & Adjustable Flanges	<b>T-503</b>	Thermocouple with Taper Thermowell & Adjustable Flanges
A-37		A-38	

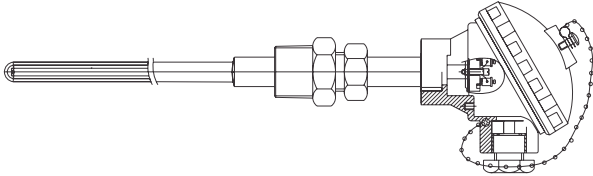
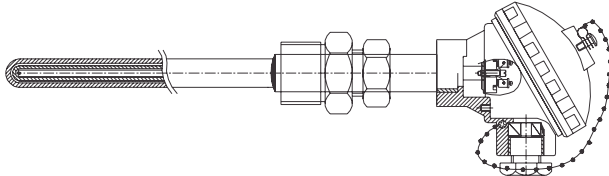
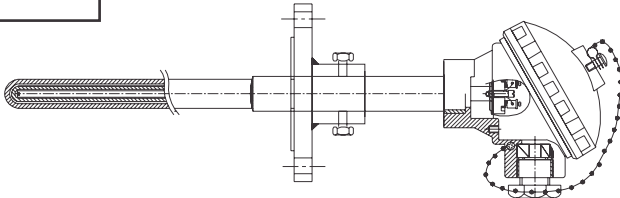
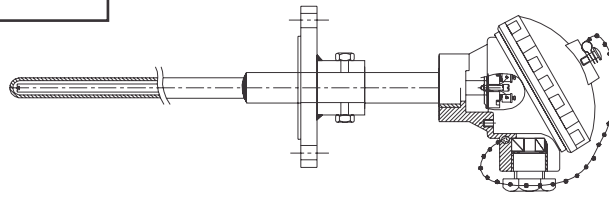
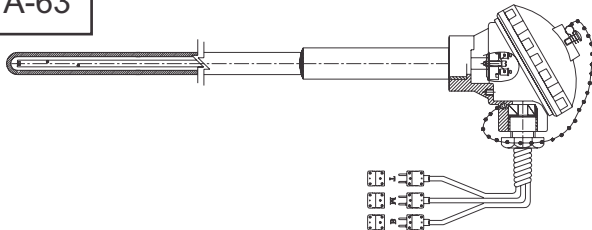
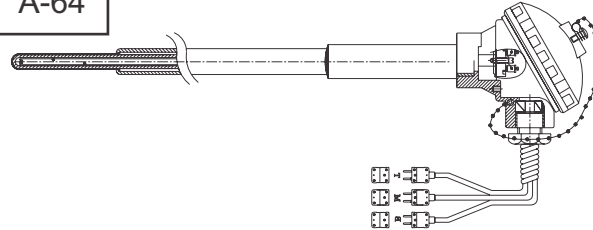
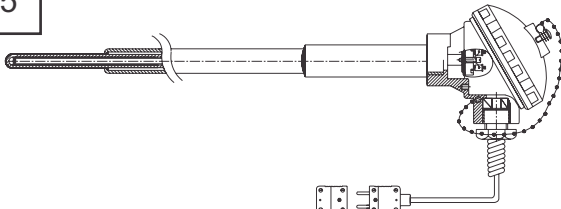
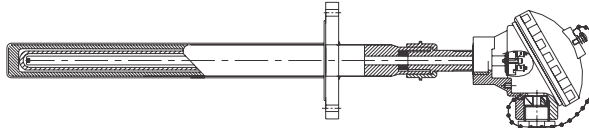
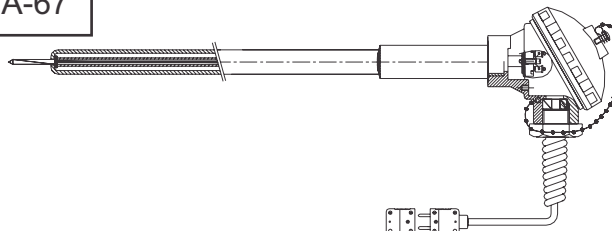
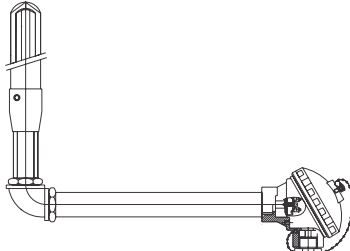
### List of Model

<b>T-504</b>	Thermocouple with Straight Thermowell Adjustable Comp. Fitting & Cable	<b>T-506</b>	Thermocouple with Thermowell & Coating
A-39		A-40	
<b>T-650</b>	Thermocouple with Nipple & Taper Thermowell	<b>T-651</b>	Thermocouple with N/U/N & Taper Thermowell
A-41		A-42	
<b>T-652</b>	Thermocouple with Nipple & Straight Thermowell	<b>T-653</b>	Thermocouple with N/U/N & Straight Thermowell
A-43		A-44	
<b>T-654</b>	Thermocouple with Straight Thermowell & Adjustable Comp. Fitting	<b>T-655</b>	Thermocouple with Nipple & Straight Thermowell
A-45		A-46	
<b>T-656</b>	Thermocouple with Tapered Thermowell & Adjustable Comp. Fitting	<b>T-657</b>	Thermocouple with Solid Sintered Tungsten Carbide Thermowell
A-47		A-48	

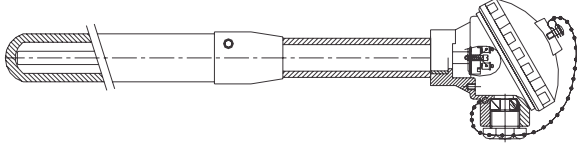
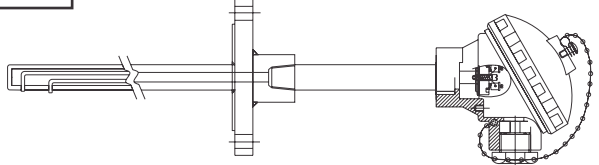
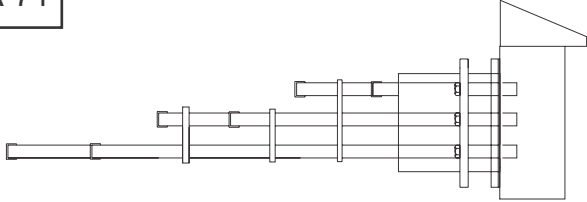
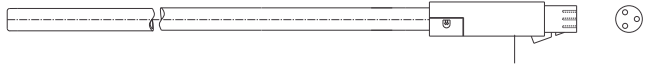

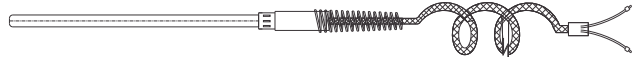


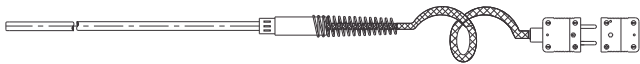
## List of Model

<b>T-726</b> Thermocouple with Nipple & Flange Thermowell Taper	<b>T-727</b> Thermocouple with N/U/N & Flange Thermowell Taper
<b>A-49</b> 	<b>A-50</b> 
<b>T-728</b> Thermocouple with Flange Thermowell Tapered & Adjustable Comp. Fitting	<b>T-729</b> Thermocouple with Nipple & Straight Thermowell
<b>A-51</b> 	<b>A-52</b> 
<b>T-730</b> Thermocouple with N/U/N & Straight Thermowell	<b>T-731</b> Thermocouple with Straight Thermowell & Fitting
<b>A-53</b> 	<b>A-54</b> 
<b>T-732</b> Thermocouple with N/U/N & Stepped Thermowell	<b>T-733</b> Thermocouple with Built Up Fabricated Thermowell
<b>A-55</b> 	<b>A-56</b> 
<b>T-734</b> Thermocouple with Flange N/U/N & Stepped Thermowell	<b>T-800</b> Standard Thermocouple with Cable & M-F Connector
<b>A-57</b> 	<b>A-58</b> 

## List of Model

<b>T-803</b>	Standard Thermocouple	<b>T-804</b>	Thermocouple with Double Protection Tube & Adjustable Fitting
A-59		A-60	
<b>T-805</b>	Thermocouple with Double Protection Tube & Adjustable Flange	<b>T-806</b>	Thermocouple with Single Protection Tube & Adjustable Flange
A-61		A-62	
<b>T-900</b>	Tri-Level Thermocouple with Long PT Thimble	<b>T-901</b>	Tri-Level PT-RH Thermocouple with Small PT Thimble
A-63		A-64	
<b>T-902</b>	Single Level Thermocouple with Small PT Thimble	<b>T-903</b>	Thermocouple with Outer - Inner Protection Tube & Counter Flange
A-65		A-66	
<b>T-904</b>	Glass Level Probe/Electrode	<b>T-950</b>	Thermocouple for Molten Aluminium ("L" Shape)
A-67		A-68	

## List of Model

<b>T-951</b>	Thermocouple for Molten Aluminium (Straight)	<b>T-952</b>	Two Point Thermocouple
A-69		A-70	
<b>T-953</b>	Multi Point Thermocouple	<b>T-954</b>	Pot Room Thermocouple with Connector
A-71		A-72	
<b>T-955</b>	Aluminium Pot Thermocouple	<b>T-988</b>	Ultra High Temperature Thermocouple with Cable
A-73		A-74	
<b>T-989</b>	Ultra High Temperature Thermocouple with Lemo Connector	<b>T-990</b>	Ultra High Temperature thermocouple with Male Female Connector
A-75		A-76	
<b>T-991</b>	Ultra High Temperature Thermocouple Transition Joint	<b>T-992</b>	Ultra High Temperature Thermocouple Transition Joint with Lemo Connector
A-77		A-78	