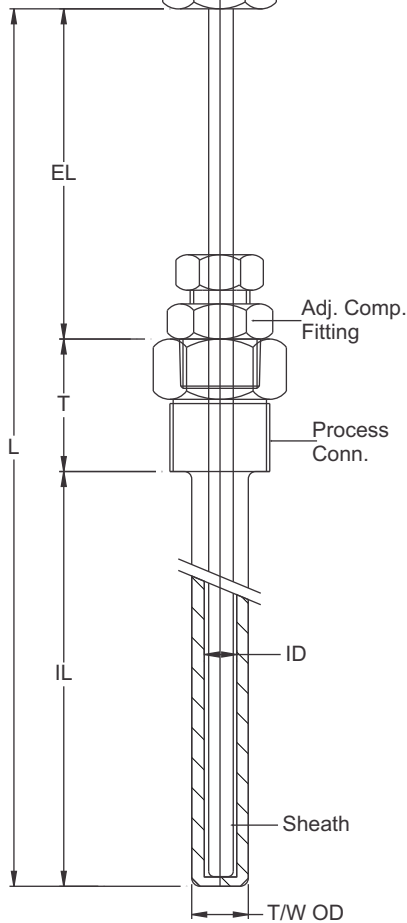
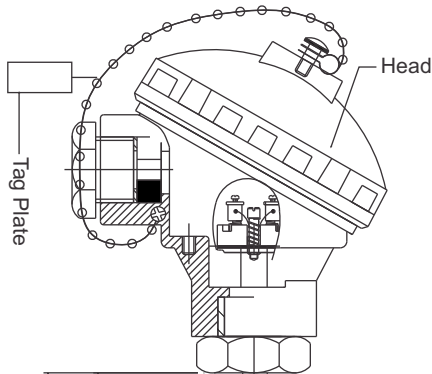


# RTD WITH STRAIGHT THERMOWELL & ADJUSTABLE COMPENSATION FITTING

**R-654**



RTD Element

1	Pt-100x1, Simplex
2	Pt-100x2, Duplex
Other	Consult Factory

Termination Style

C	Connection Head IP-67
D	Double entry Head IP-65
EB	Ex-D IIB Zone 1&2
EC	Ex-D IIC
M	Miniature Head
P	Plastic Head
Other	Consult Factory

Junction Style

W2	2- Wire
W3	3- Wire
W4	4- Wire

Sheath "OD"

3	Ø3mm
4.5	Ø4.5mm
6	Ø6mm
8	Ø8mm
Other	Consult Factory

Sheath Material

316	SS 316
Other	Consult Factory

Thermowell Material

316	SS 316
310	SS 310
304	SS 304
600	Inconel-600
800	Inconel-800
446	HRS-446
Other	Consult Factory

Thermowell OD (mm)

Thermowell ID (mm)

Process Conn.

Threads	1/4"
	1/2"
	3/4"
	3/8"
B.S.P. / N.P.T.	1"
	1 1/4"
	1 1/2"
M-Thread	2"
	M20X1.5, M18X1.5, M33X2, M27X2
Other	Consult Factory

Length of "T" (mm)

Inst. Connection

Insertion Length (I.L.) (mm)

Extension Length (E.L.) (mm)

Nominal Length of T/C "L" (mm)