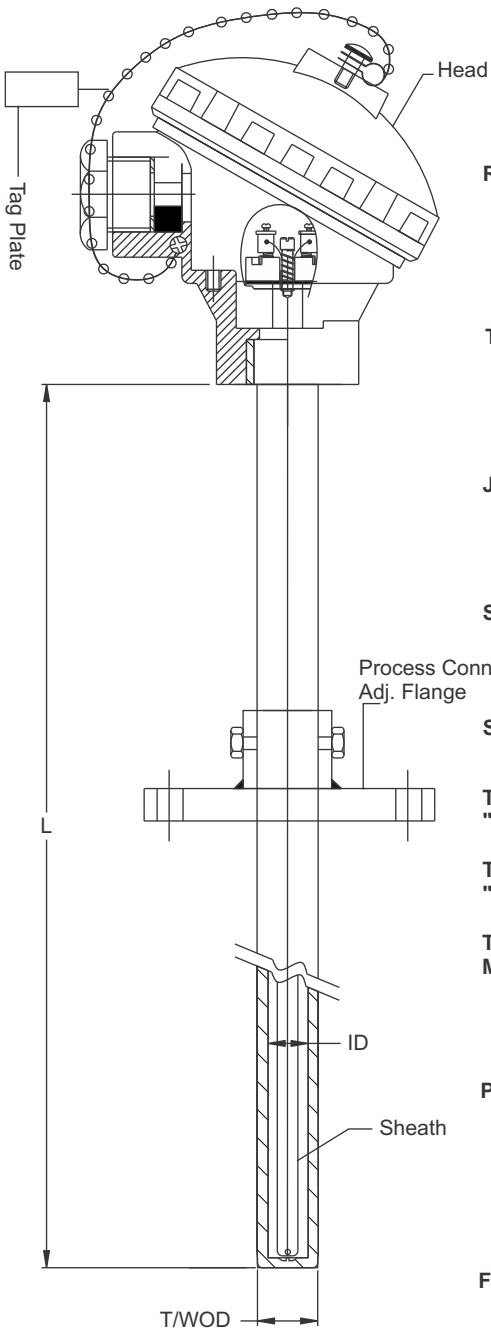


RTD WITH THERMOWELL & ADJUSTABLE FLANGE

R-502



RTD Element

1	Pt-100x1, Simplex
2	Pt-100x2, Duplex
Other	Consult Factory

Termination Style

C	Connection Head IP-67
D	Double entry Head IP-65
EB	Ex-D IIB Zone 1&2
EC	Ex-D IIC
M	Miniature Head
P	Plastic Head
Other	Consult Factory

Junction Style

W2	2- Wire
W3	3- Wire
W4	4- Wire

Sheath "OD"

3	Ø3mm
4.5	Ø4.5mm
6	Ø6mm
8	Ø8mm
Other	Consult Factory

Sheath Material

316	SS 316
Other	Consult Factory

Thermowell "OD"(mm)

316	SS 316
310	SS 310
304	SS 304
600	Inconel-600
800	Inconel-800
446	HRS- 446
Other	Consult Factory

Thermowell "ID" (mm)

Thermowell Material

Flange Rating	Flange Size
Adj. Flange	1/2"
# 150	3/4"
# 300	1"
# 400	1 1/2"
# 600	1 1/4"
	2"

Process Conn.

Standard Adj. Flange P.C.D.-70mm

Flange material

316	SS 316
310	SS 310
304	SS 304
C S	Cast Steel
Other	Consult Factory

Nominal Length of T/C "L" (mm)