

Head Mounted Temperature Transmitter(0 - 10V) (PT-100)

The HT^R (Head Mounted Temperature Transmitter(RTD PT-100)) provides highly accurate and stable 0 to 10V output in 4 wire technology. These transmitters convert the sensor signal into a 0 to 10V output proportional to the measured value. These transmitter can be used with 2 wire & 3 wire RTD's(Pt-100).

Product Key Features

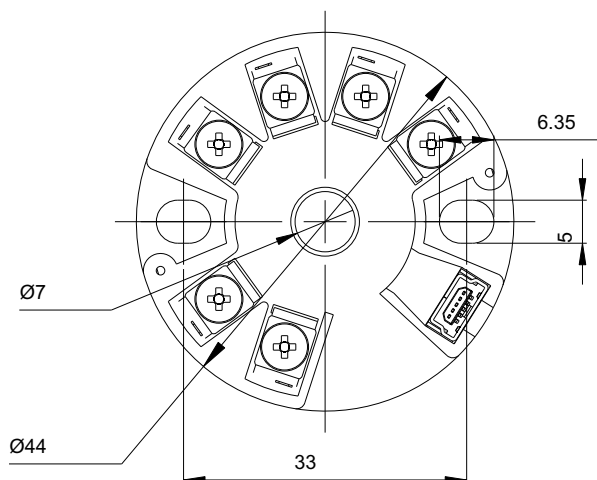
- ❖ Fix input - RTD Pt-100 with fix temp. range 0°C - 100°C
- ❖ 4-wire, 0-10V output
- ❖ 2 & 3 wire RTD input



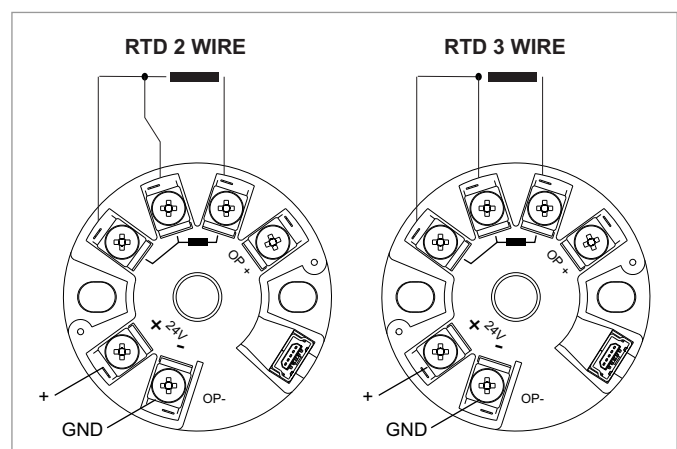
Head Mounted Temperature Transmitter HT^R
(0 - 10V) RTD PT-100)

Model	Programmable Microcontroller based temperature Transmitter HT ^R
Feature	HT ^R comprehends a family of head mount 0-10V temperature transmitters for the most common temperature application. 2 & 3 wire PT-100 RTD Input.
Power Supply	12 to 25 V DC
Accuracy	Pt100 ±0.2% full scale
Working Temperature	0 to 70°C
Dimension	44 mm (Dia) x 21 mm
Minimum Load	5KΩ

Mechanical Drawing



Electrical Connections Head Mounted Temperature Transmitter HT^R



Note :

1. User can get 0-10V Output as shown by above wiring connections between OP+ (+indicates positive) & OP- (-indicates negative)
2. Make GND of supply and OP- common.

Tempsens Instruments (I) Pvt. Ltd.

B-188A, Road N. 5, M.I.A., Udaipur-313003 (Rajasthan) INDIA

Ph. : +91-294-3057700 to 800, Fax. : +91-294-3057750

Email : info@tempsens.com

www.tempsens.com