

DIN Rail mounted transmitter with HART protocol for converting various input signals into a scalable 4 to 20mA analogue output signal

## FEATURES

- ✓ Universal settings with HART-protocol for various input signals
- ✓ 2-wire technology, 4 to 20mA analogue output
- ✓ High accuracy in total ambient temperature range
- ✓ Galvanic isolation
- ✓ Wide voltage supply range
- ✓ Simple and user friendly software
- ✓ USB communication(optional)
- ✓ Expanded resistance input (max 2K $\Omega$ )
- ✓ Expanded voltage input (max 2K $mV$ )



## TECHNICAL PARAMETERS

- ✓ **Input** : RTD, TC, Ohm, mV
- ✓ **Output Signal** : Analog 4 ~ 20mA
- ✓ **Operation** : HART-protocol
- ✓ **Power Supply Voltage** : 7.5 to 45 VDC
- ✓ **Load** : Max. ( $V_{\text{power supply}} - 7.5 \text{ V} / 0.022\text{A}$ )
- ✓ **Ambient Temperature** : -40°C to 85°C
- ✓ **Storage Temperature** : -40°C to 100°C
- ✓ **Protection Level** : Ip20
- ✓ **Explosion** : Intrinsically safe : Exia II Ct4
- ✓ **Cold Junction Compensation** : Internal
- ✓ **Condensation** : Allowable
- ✓ **Response Time** : 1s
- ✓ **Switch On Delay** :  $\leq 5\text{s}$
- ✓ **Resolution** : 0.3 $\mu\text{A}$
- ✓ **Accuracy(Pt100)** : <0.2K or 0.08%
- ✓ **Influence of ambient** : Negligible
- ✓ **Load influence** : Negligible
- ✓ **Power supply influence** : Negligible
- ✓ **Galvanic isolation(In/Out)** : 2KVAC
- ✓ **Installation** : DIN Rail Mounted
- ✓ **Weight** : Approx 90g
- ✓ **Material** : PA 66-FR

## Tempsens Instruments (I) Pvt. Ltd.

B-188 Road No.-5, M.I.A., Madri, Udaipur - 313 003 (Raj) INDIA

Ph.: +91-294-3057700 to 800, Fax.: +91-294-3057750,

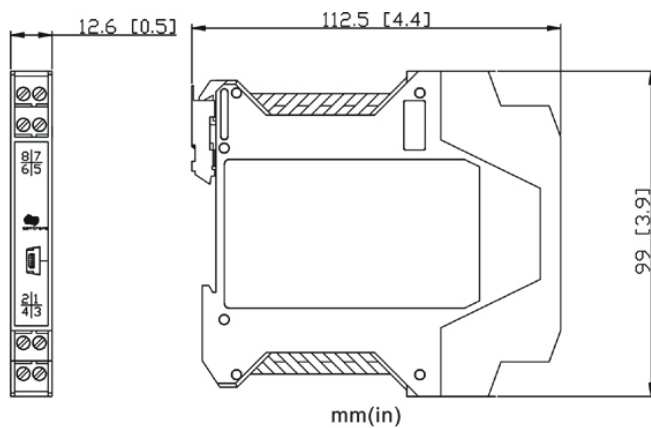
E-mail: info@tempsens.com

[www.tempsens.com](http://www.tempsens.com)

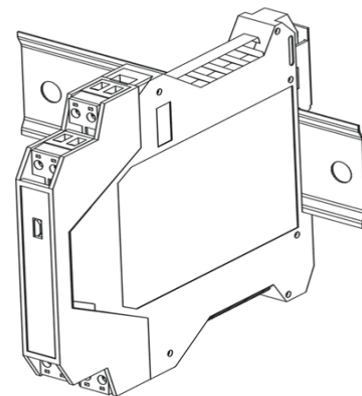
## INPUT TYPE

INPUT	TYPE	MEASUREMENT RANGES	MIN. MEAS. RANGES
RTD	Pt100	-200°C to 850°C	10K
	Pt500, Pt1000	-200°C to 250°C	10K
	Cu50, Cu100	-50°C to 150°C	10K
	Ni100	-60°C to 180°C	10K
	Ni500	-60°C to 180°C	10K
	Ni1000	-60°C to 150°C	10K
Resistance Transmitter	Resistance ( $\Omega$ )	0 $\Omega$ to 400 $\Omega$	10 $\Omega$
		0 $\Omega$ to 2000 $\Omega$	20 $\Omega$
Connection Type : 2-, 3- or 4-wire connection			
THERMOCOUPLE	B	0°C to 1820°C	500K
	E	-270°C to 1000°C	50K
	J	-210°C to 1200°C	50K
	K	-270°C to 1372°C	50K
	N	-270°C to 1300°C	50K
	R	-50°C to 1768°C	500K
	S	-50°C to 1768°C	500K
	T	-270°C to 400°C	50K
Voltage Transmitters(mV)	MilliVolt Transmitter(mV)	-10mV to 75mV	5mV
		-100mV to 100mV	5mV
		-100mV to 500mV	6mV
		-100mV to 2000mV	20mV

## DIMENSION



## INSTALL



## Tempsens Instruments (I) Pvt. Ltd.

B-188 Road No.-5, M.I.A., Madri, Udaipur - 313 003 (Raj) INDIA

Ph.: +91-294-3057700 to 800, Fax.: +91-294-3057750,

E-mail: info@tempsens.com

[www.tempsens.com](http://www.tempsens.com)