

## PRODUCT SPECIFICATIONS

## TEMPERATURE UPTO 260°C



- **Conductor** : Solid thermocouple wire as per ASTM E230 & ANSI MC 96.1
- **Insulation** : FEP / PFA / ETFE
- **Cable formation** : Overall insulation encapsulation parallel conductors
- **Operating Temperature** : FEP (-200°C to 200°C), PFA (-200°C to 260°C), ETFE (-185°C to 150°C)
- **Color code** : ANSI MC 9.6.1/IEC584/JIS C1610

## PRODUCT FEATURE

- Molded on connector rated 260°C
- Labor saving thermocouple assembly
- Smaller diameter
- Excellent chemical resistance
- No leakages then the cable for vacuum/autoclave application

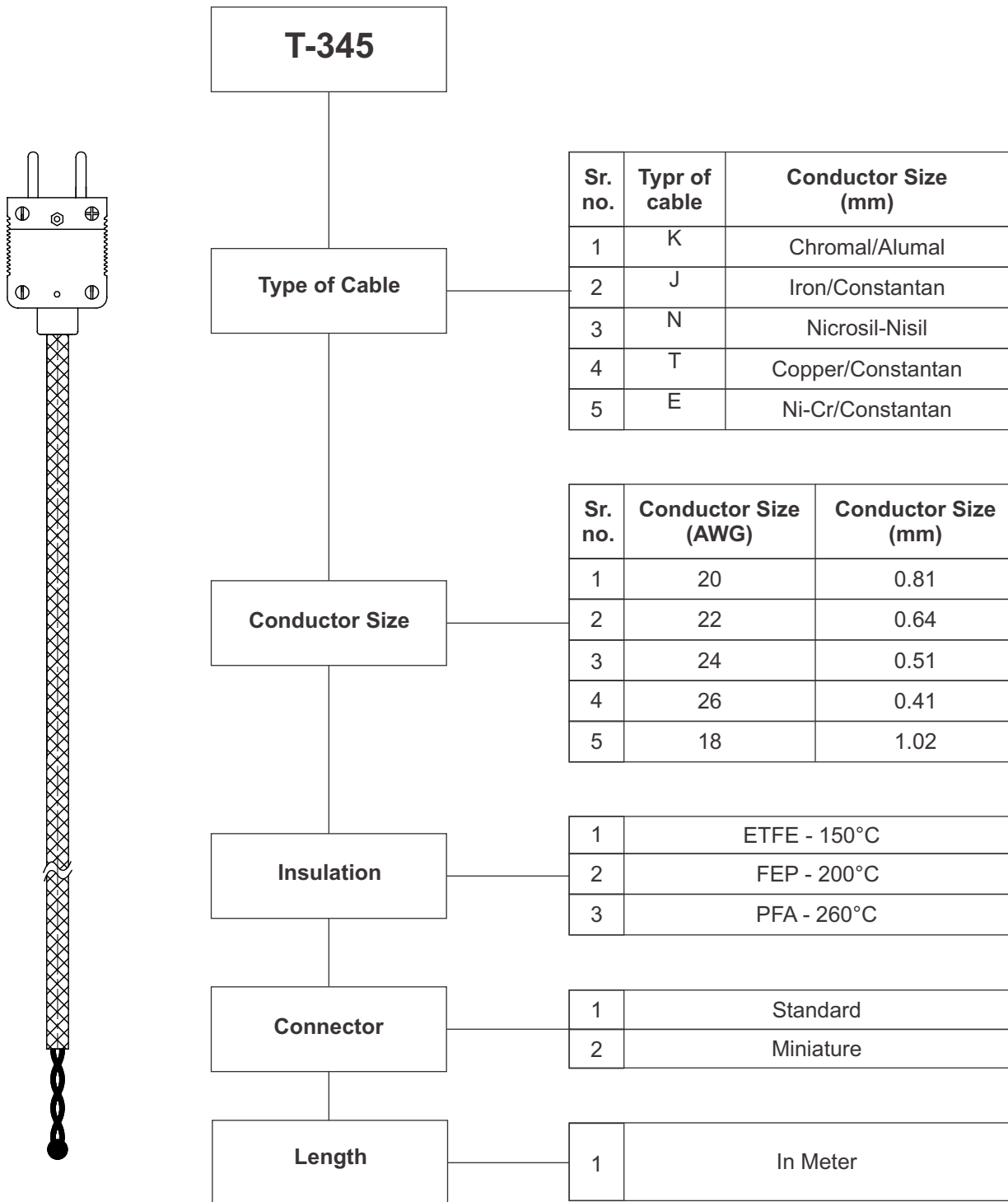
## APPLICATIONS

- **Autoclaves**
- **Composites**
- **Biotech & Laboratory**
- **Pharmaceuticals**

## NOMINAL DIMENSION & WEIGHT OF AUTOCLAVE THERMOCOUPLE WIRE

Conductor Size (AWG)	Conductor Size (mm)	CSA (Sq. mm)	Insulation thickness	Outer diameter (mm)	Cable WT. (Appx.) Kg/Km
20	0.81	0.50	0.40 mm	2.9 x 1.7	17
22	0.64	0.32	0.30 mm	2.1 x 1.3	9
24	0.51	0.20	0.25 mm	2.1 x 1.1	7
26	0.41	0.13	0.25 mm	1.9 x 1.0	5

## Order Code



### Tempsens Instruments (I) Pvt. Ltd. U# I

B-188A, Road No.5, M.I.A., Udaipur-313003 (Rajasthan) INDIA

Ph. : +91-294-3057700 to 800, Fax : +91-294-3057750

Email : info@tempsens.com

www.tempsens.com

