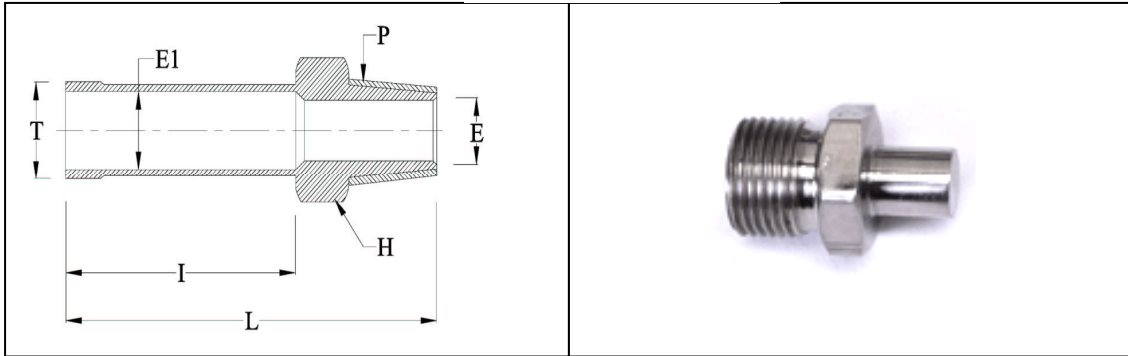


Male Adapter



	P (NPT)	E	E₁	h in	I	L
1/8	1/8	4.57	1.77	7/16	13.45	29.50
1/8	1/4	7.11	1.77	9/16	13.45	34.80
3/16	1/8	4.57	3.04	7/16	14.20	30.22
3/16	1/4	7.11	3.04	9/16	14.20	35.56
1/4	1/8	4.57	4.57	7/16	15.75	31.80
1/4	1/4	7.11	4.57	9/16	15.75	37.08
1/4	3/8	10.41	4.57	11/16	15.75	37.84
1/4	1/2	12.70	4.57	7/8	16.80	43.43
5/16	1/8	4.57	6.35	7/16	16.80	32.76
5/16	1/4	7.11	6.35	9/16	17.50	38.10
3/8	1/8	4.57	7.11	7/16	17.50	33.50
3/8	1/4	7.11	7.11	9/16	17.50	38.90
3/8	3/8	10.41	7.11	11/16	17.50	39.60
3/8	1/2	12.70	7.11	7/8	23.20	45.20
1/2	1/4	7.11	9.90	9/16	23.20	44.50
1/2	3/8	10.41	9.90	11/16	23.20	45.20
1/2	1/2	12.70	9.90	7/8	24.70	50.50
5/8	3/8	10.41	12.70	11/16	24.70	47.40
5/8	1/2	12.7	12.70	7/8	24.70	52.30

Tube O.D. T in	P (NPT)	E	E ₁	h in	l
5/8	3/4	18.28	12.70	1-1/16	24.70
3/4	1/2	12.70	14.98	7/8	24.70
3/4	3/4	18.28	14.98	1-1/16	24.70
3/4	1	22.35	14.98	1-3/8	24.70
7/8	3/4	18.28	17.27	1-1/16	26.70
1	3/4	18.28	20.06	1-1/16	31.70
1	1	22.35	20.06	1-3/8	31.70