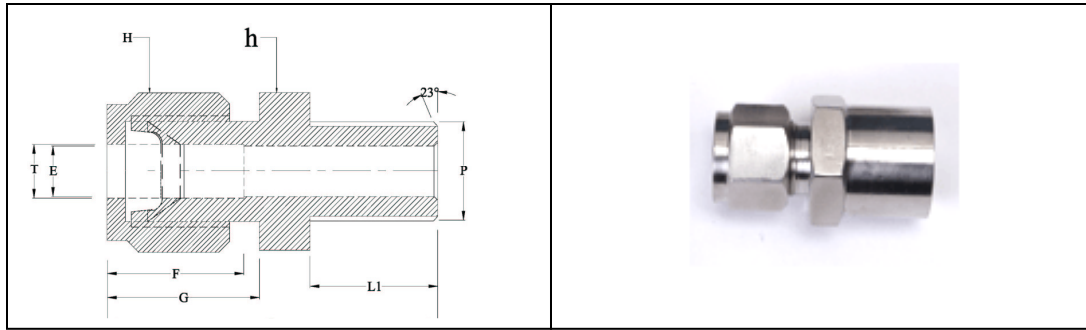


Male Pipe Weld Connector



Tube O.D. T in	Pipe Weld Size P		E Min	h	H	F	G	I	I ₁	L
	Nom	O.D.		in	in					
1/8	1/8	10.30	2.28	7/16	7/16	12.70	15.24	23.87	9.65	31.24
3/16	1/8	10.30	3.04	7/16	1/2	13.71	16.0	24.63	9.65	31.24
1/4	1/8	10.30	4.82	1/2	9/16	15.24	17.78	25.40	9.65	32.76
1/4	1/4	13.70	4.82	9/16	9/16	15.24	17.78	30.48	14.22	37.84
5/16	1/8	10.30	5.08	9/16	5/8	16.25	18.54	26.67	9.65	37.03
5/16	1/4	13.70	6.35	9/16	5/8	16.25	18.54	31.24	14.22	38.60
3/8	1/4	13.70	7.11	5/8	11/16	16.76	19.30	32.51	14.22	39.87
3/8	3/8	17.10	7.11	11/16	11/16	16.76	19.30	32.51	11.05	39.87
3/8	1/2	21.30	7.11	7/8	11/16	16.76	19.30	38.86	14.22	43.23
1/2	3/8	17.10	10.41	13/16	7/8	22.86	21.84	33.27	19.05	43.43
1/2	1/2	21.30	10.41	7/8	7/8	22.86	21.84	38.86	14.22	49.02
1/2	3/4	26.67	10.41	1-1/16	7/8	22.86	21.84	40.38	19.05	50.54
5/8	1/2	21.30	12.70	15/16	1	24.38	21.84	38.66	19.05	49.02
3/4	3/4	26.67	15.74	1-1/16	1-1/8	24.38	21.84	40.38	19.05	50.54
1	1	33.40	22.35	1-3/8	1-1/2	31.24	26.41	50.03	23.87	62.23