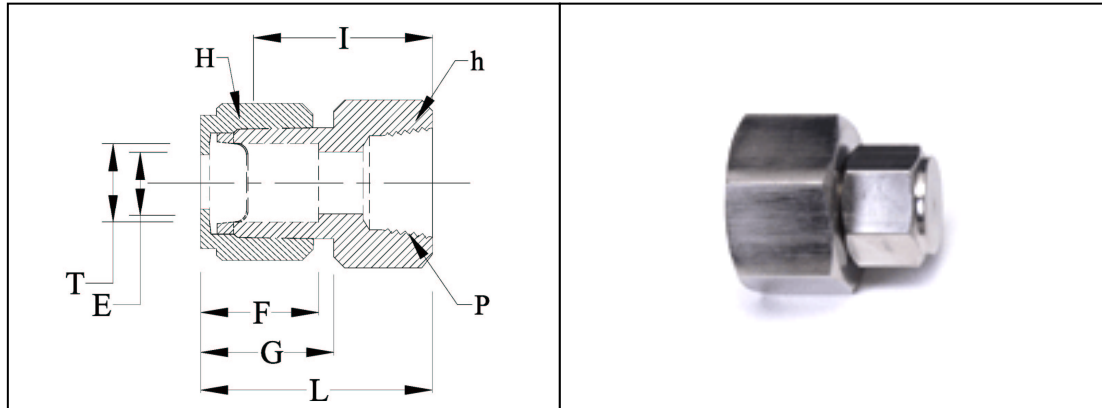


Female Connector



| Tube O.D. T in | P (NPT) | E Min | h in | H in | F | G | I | L |
|----------------------|------------|----------|--------|-------|-------|-------|-------|-------|
| 1/8 | 1/8 | 2.28 | 9/16 | 7/16 | 12.70 | 15.24 | 22.09 | 28.70 |
| 1/8 | 1/4 | 2.28 | 3/4 | 7/16 | 12.70 | 15.24 | 26.92 | 33.52 |
| 3/16 | 1/8 | 3.04 | 9/16 | 1/2 | 13.71 | 16.00 | 23.11 | 29.71 |
| 1/4 | 1/8 | 4.82 | 9/16 | 9/16 | 15.24 | 17.78 | 23.87 | 31.24 |
| 1/4 | 1/4 | 4.82 | 3/4 | 9/16 | 15.24 | 17.78 | 28.44 | 35.81 |
| 1/4 | 3/8 | 4.82 | 7/8 | 9/16 | 15.24 | 17.78 | 30.22 | 37.59 |
| 1/4 | 1/2 | 4.82 | 1-1/16 | 9/16 | 15.24 | 17.78 | 35.05 | 42.41 |
| 5/16 | 1/8 | 6.35 | 9/16 | 5/8 | 16.25 | 17.78 | 24.63 | 32.00 |
| 5/16 | 1/4 | 6.35 | 3/4 | 5/8 | 16.25 | 18.54 | 29.46 | 36.83 |
| 3/8 | 1/8 | 7.11 | 5/8 | 11/16 | 16.76 | 18.54 | 25.40 | 32.76 |
| 3/8 | 1/4 | 7.11 | 3/4 | 11/16 | 16.76 | 19.30 | 30.22 | 37.59 |
| 3/8 | 3/8 | 7.11 | 7/8 | 11/16 | 16.76 | 19.30 | 31.75 | 39.11 |
| 3/8 | 1/2 | 7.11 | 1-1/16 | 11/16 | 16.76 | 19.30 | 36.57 | 43.94 |
| 3/8 | 3/4 | 7.11 | 1-5/16 | 11/16 | 22.86 | 19.30 | 40.38 | 47.75 |
| 1/2 | 1/4 | 10.41 | 1-3/16 | 7/8 | 22.86 | 19.30 | 30.22 | 40.38 |
| 1/2 | 3/8 | 10.41 | 7/8 | 7/8 | 22.86 | 21.84 | 31.75 | 41.91 |
| 1/2 | 1/2 | 10.41 | 1-1/16 | 7/8 | 22.86 | 21.84 | 36.57 | 46.73 |
| 1/2 | 3/4 | 10.41 | 1-5/16 | 7/8 | 24.38 | 21.84 | 38.10 | 48.26 |

| | | | | | | | | |
|-----|-----|-------|--------|-------|-------|-------|-------|-------|
| 5/8 | 3/8 | 12.70 | 15/16 | 1 | 24.38 | 21.84 | 31.75 | 41.91 |
| 5/8 | 1/2 | 12.70 | 1-1/16 | 1 | 24.38 | 21.84 | 36.57 | 46.73 |
| 3/4 | 1/2 | 15.74 | 1-1/16 | 1-1/8 | 24.38 | 21.84 | 36.57 | 46.73 |
| 3/4 | 3/4 | 15.74 | 1-5/16 | 1-1/8 | 24.38 | 21.84 | 38.10 | 48.26 |
| 7/8 | 3/4 | 18.28 | 1-5/16 | 1-1/4 | 25.90 | 21.84 | 39.62 | 49.78 |
| 1 | 3/4 | 22.35 | 1-3/8 | 1-1/2 | 31.24 | 26.41 | 41.14 | 53.24 |
| 1 | 1 | 22.35 | 1-5/8 | 1-1/2 | 31.24 | 26.41 | 50.03 | 62.23 |